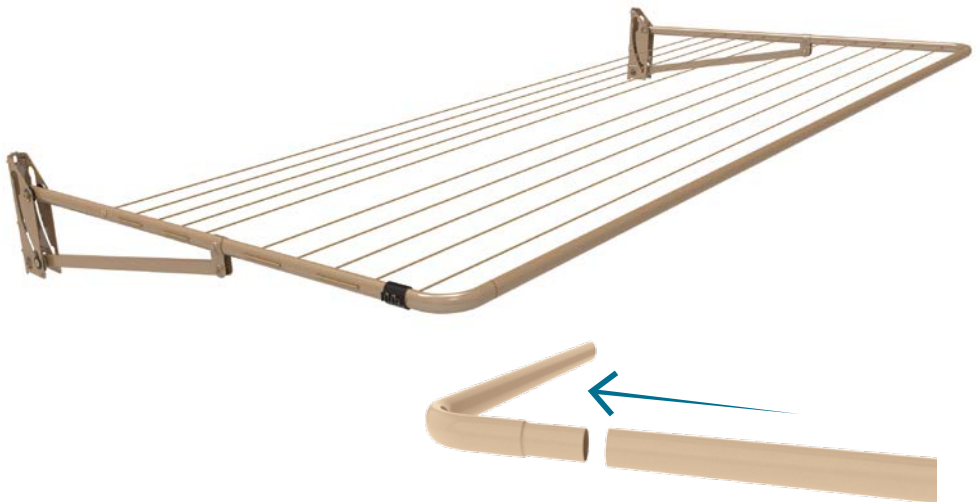


INSTALLATION INSTRUCTIONS

Quick Lock Fold Down Clothesline



Please check the carton contains all the required parts before assembly.

Your carton should contain the following:

1. **Pre-assembled side-arms** x 2
2. **Front bar** x 1
3. **String** (PVC line cord)

Identify the type of installation required for your Fold Down Clothesline.

1. Wall mounting installation - follow Wall Mounting Instruction below
2. Alternative free standing mount - use 1 x Daytek Ground Mount Kit (sold separately)

WALL MOUNTING INSTALLATION

Materials and Tools required for installation:

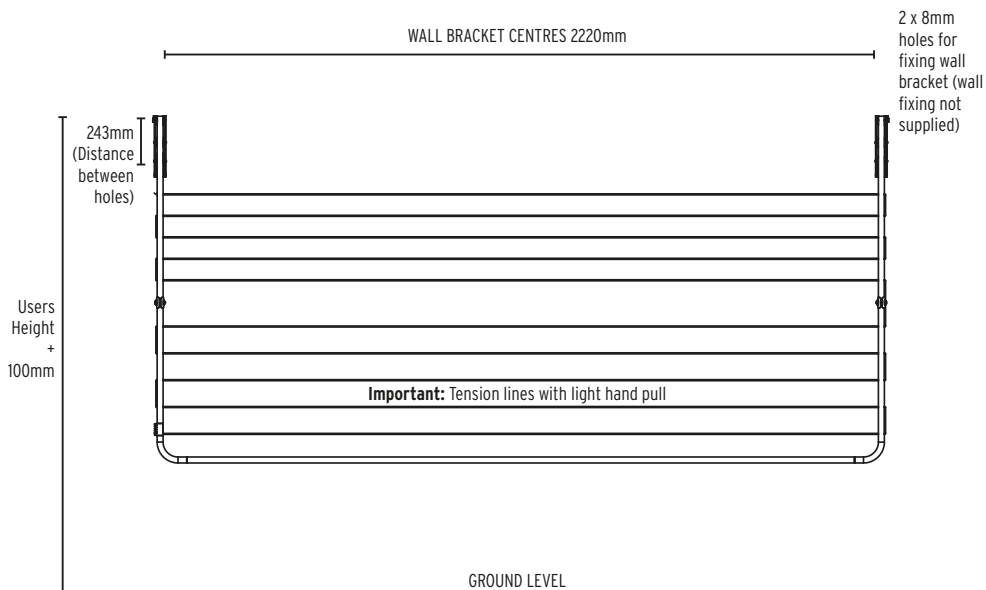
- 8m measuring tape & pencil marker
- Hammer drill (can hold up to 12mm diameter concrete drill bit)
- Socket set and adjustable wrench
- Hammer
- Scissors
- 1 spirit level (approximately 500mm long)

Important:

Ensure selected location has sufficient side clearances considering wall bracket centre distance.

Recommended height position from ground level to wall bracket top mounting hole is **user height + 100mm minimum**. If required allow 80mm minimum clearance on each side of wall bracket to clear side walls or fences when folding clothesline up or down.

Figure 1. Quick Lock Fold Down



FOLD DOWN INSTALLATION PROCEDURE

OPTIONAL SIZE ADJUSTMENT

Your Quick Lock Fold Down Clothesline can be reduced in width to suit your space needs.

TO REDUCE WIDTH: Cut the FRONT BAR to the desired width. File the cut end of the tube to remove any sharp edges or burrs. When marking your wall bracket centres, reduce the original wall bracket centres distance by the amount cut from the FRONT BAR. Example: If you cut 120mm from the front bar then your new wall bracket centres distance will be 2220mm - 120mm = 2100mm

1. Mark recommended height position, wall bracket positions and centres.
2. Drill four holes with 8mm diameter and 50mm minimum depth.
3. Fasten pre-assembled side arms into the wall with 8mm x 50mm (minimum) Concrete wall anchor (**not supplied**). Do not fully tighten at this stage.
4. Spread side arms apart and slide front bar into position. Ensure side arms are inserted fully into front bar. (**See figure 2**)
5. Start threading line from inner most hole (**see figure 3**) and continue up to last hole position. Ensure line tensioner is aligned with last hole in side arm. Thread line through line tensioner, pull tight and secure (**see figure 4**). Trim line leaving approximately 60mm excess.

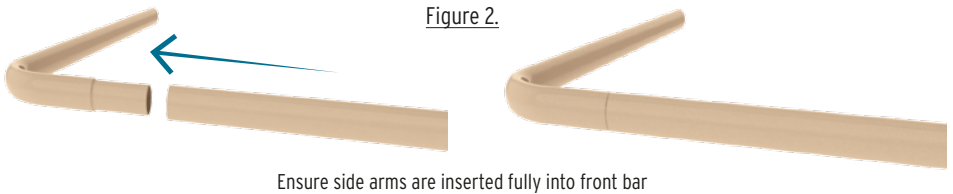


Figure 3.

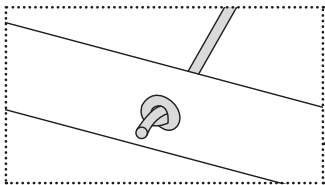
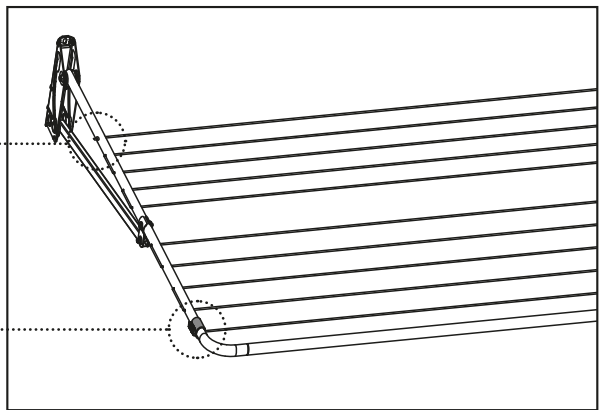
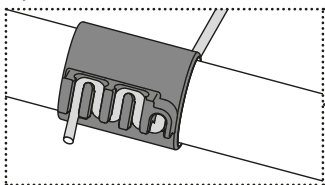


Figure 4.



15 YEAR PRODUCT WARRANTY

Our goods come with guarantees that cannot be excluded under the Australian Consumer Law. You are entitled to a replacement or refund for a major failure and for compensation for any loss or damage. You are also entitled to have the goods repaired or replaced if the goods fail to be acceptable quality and the failure does not amount to a major failure.

If any part of this clothesline fails to operate correctly due to faulty workmanship or defective

material Daytek Australia will repair or replace free of cost within 15 years from the date of purchase. (Receipt of purchase required). The PVC line cord is covered by a 2 year warranty from the date of purchase. Any evidence of misuse or incorrect adjustment will void the warranty. To claim a product warranty, please contact Daytek Australia directly. You must bear the cost of claiming the warranty. This warranty is in addition to other rights and remedies of the customer under law.

Manufactured/Supplied by Daytek Australia Pty. Ltd.

77-81 Gower Street, Preston

Victoria 3072 Australia

T +61 3 9470 1755

F +61 3 9470 5381

E enquiry@daytek.com.au

daytek.com.au



Daytek[®]
Design for Today