

PRODUCT MANUAL

Micro Indoor Retractable Clothesline 3.5m

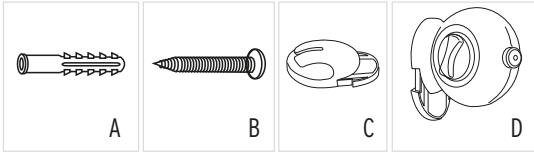


IMPORTANT - READ THESE INSTRUCTIONS
BEFORE USING YOUR CLOTHESLINE

Product Code	A02841302
Date of purchase	
Name & location of supplier	

MICR00619-V1

BEFORE YOU BEGIN



Note: This product is intended for Indoor Use Only

Please check the carton contains all the required parts before installing the clothesline.

Your carton should contain the following:

- A. **Wall plugs** x 4
- B. **Screws** x4
- C. **Hook with Bracket** x 1
- D. **Retractable Line Case with Bracket** x 1

(Fixings included are for installing into masonry or timber/stud walls only. For fixing to other materials consult your local hardware specialist)

Installation location

The maximum extension of the clothesline is 3.5m. The chosen installation location must have a wall-to-wall spacing no larger than 3.5m.

For **timber wall/ stud installation**, follow instructions and use 2mm diameter pilot hole to drill all mounting positions. Plastic plugs are not required for this type of installation.

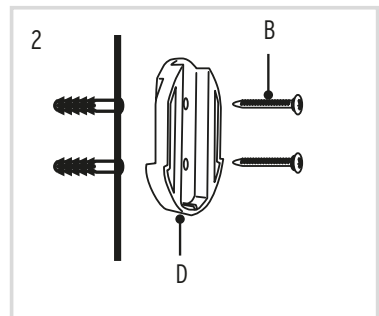
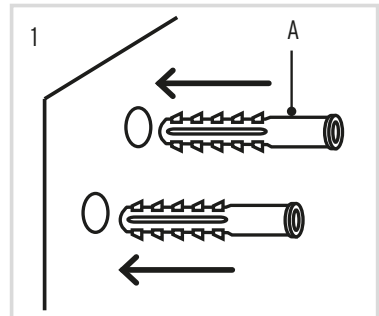
Check for hidden pipes and cables before drilling.

INSTALLATION INSTRUCTIONS

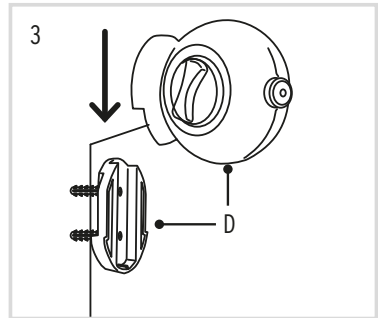
Tools required for installation:

- Drill
- Masonry drill bit (8mm diameter)
- Phillips head screwdriver

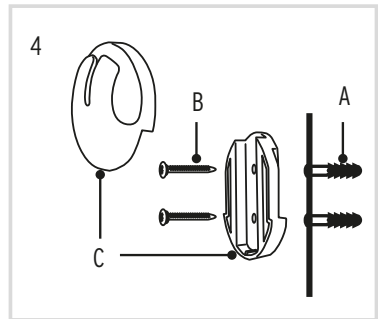
1. **Mark and drill two holes in the wall at the desired installation height.** If installing to a masonry wall and using the supplied wall plugs, drill 8mm holes and tap the plugs into place (**A**).
2. **Fix the detachable bracket from the retractable line case (**D**) at the desired height, by using the two screws (**B**).**



3. **Attach the retractable line case to the fixed bracket.**

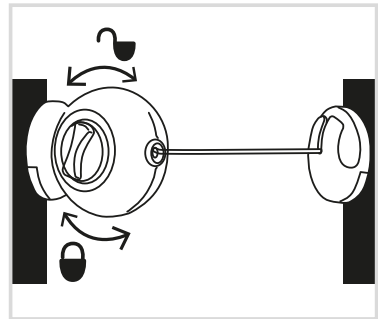


4. **Drill two suitable holes in the opposite location, then plug with (A) and screw in the detachable bracket from the hook (C), using two screws (B). Slide hook over fixed bracket.**



OPERATING INSTRUCTIONS

1. **To extend the line, rotate the locking wheel anticlockwise to unlock and pull the line to the desired length.** Slide line end over hook. Rotate the locking wheel clockwise to lock the line in position.
2. **To retract the line, unlock the wheel and release the line end, but do not let go, gently allow the line to retract into the case.**



STORAGE

When not in use it is recommended that the line is stored back in the case.

Warning - Take care when re-winding back into the case. It is recommended that you retract the line by holding the line tightly, allowing it to retract slowly.

Do not exceed the maximum load 3.5kg.

Caution - Long cords present a risk of strangulation to children, ensure that the line is always kept out of reach of children.

1 YEAR PRODUCT WARRANTY

Our goods come with guarantees that cannot be excluded under the Australian Consumer Law. You are entitled to a replacement or refund for a major failure and for compensation for any loss or damage. You are also entitled to have the goods repaired or replaced if the goods fail to be acceptable quality and the failure does not amount to a major failure.

If any part of this clothesline fails to operate correctly due to faulty workmanship or defective material Daytek Australia will repair or replace free of cost within 1 year from the original date of purchase (receipt of purchase required). Any evidence of misuse or incorrect adjustment will void the warranty. To claim a product warranty, please contact Daytek Australia directly. You must bear

the cost of claiming the warranty. This warranty is in addition to other rights and remedies of the customer under law.

Where it is deemed necessary, Daytek Australia will arrange for the inspection of your product.

Warranty exclusions

Defects caused by incorrect installation, adjustment, modification or misuse. Product damage or deterioration due to abnormal environmental conditions including storm damage, fire, wind, humidity and similar.

The warranty covers domestic use only and does not apply to commercial applications.

CONTACT DAYTEK



enquiry@daytek.com.au



daytek.com.au



facebook.com/daytekAU



www.productreview.com.au/listings/daytek

Manufactured/Supplied by Daytek Australia Pty. Ltd.

77-81 Gower Street, Preston

Victoria 3072 Australia

T +61 3 9470 1755

F +61 3 9470 5381

E enquiry@daytek.com.au

daytek.com.au



Daytek[®]
Design for Today